

Ready, Set, Create!

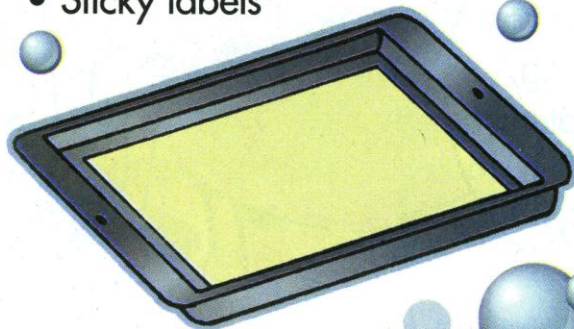
Cookie-Cutter Soaps

by Gina Napoli
Illustrated by Michael Palan

Soap making is easy and fun! You can make sweet-smelling soaps for yourself and to give as gifts! But let your adult helper operate the microwave.

What You Need:

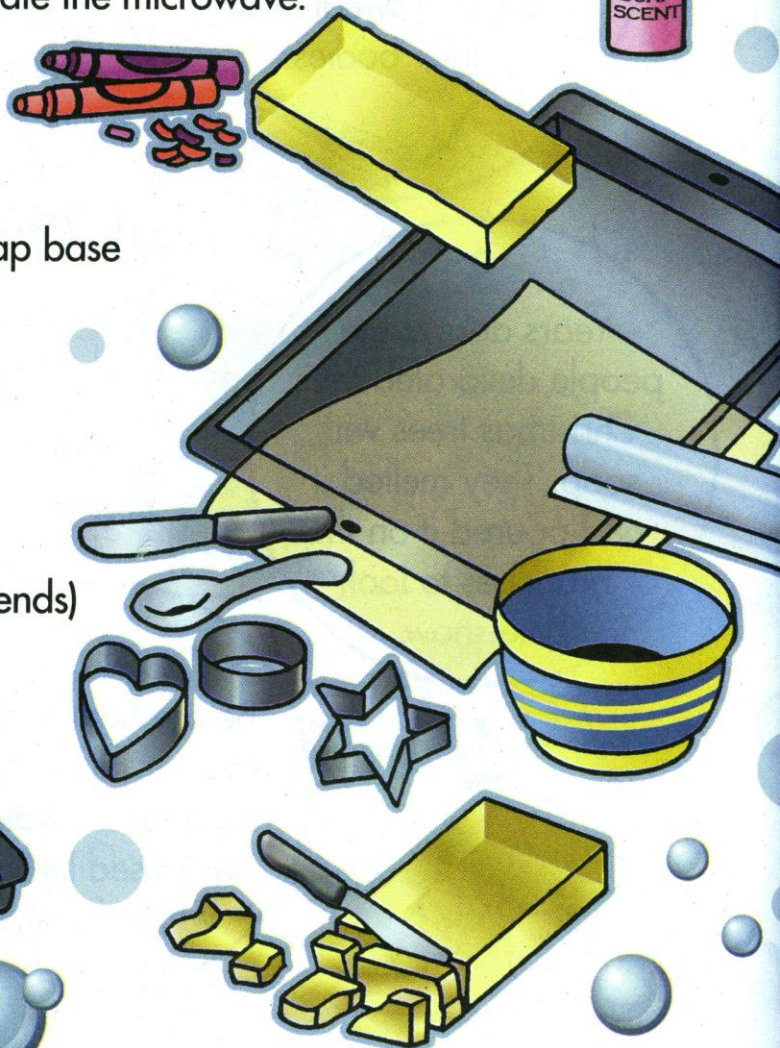
- Baking sheet
- Wax paper
- 2-pound block of glycerin soap base (in craft stores)
- Knife
- Large microwave-safe bowl
- Crayon shavings for color
- Spoon
- Soap scents (in craft stores)
- Cookie cutters (open at both ends)
- Plastic wrap
- Sticky labels



What You Do:

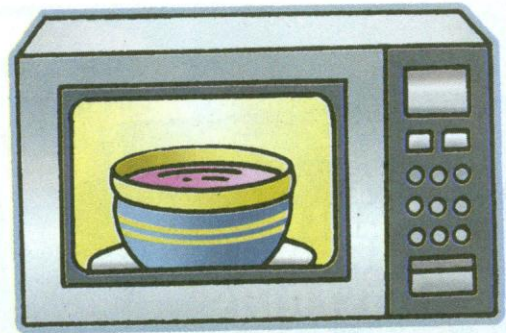
1. Line the baking sheet with wax paper.

2. Have your adult helper cut the soap base into chunks. (It is usually scored for easy cutting.)





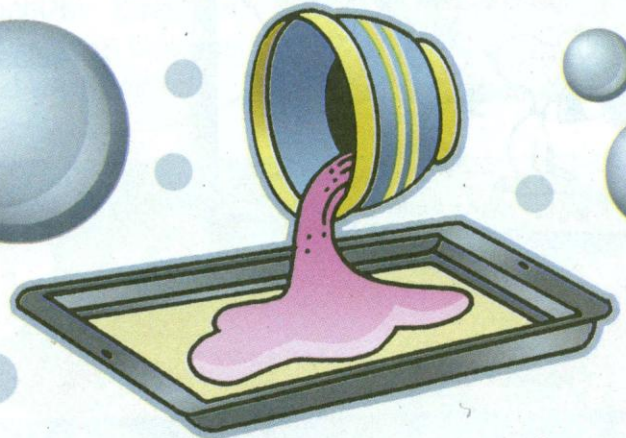
3. Place the chunks in the microwave-safe bowl. Add the crayon shavings.



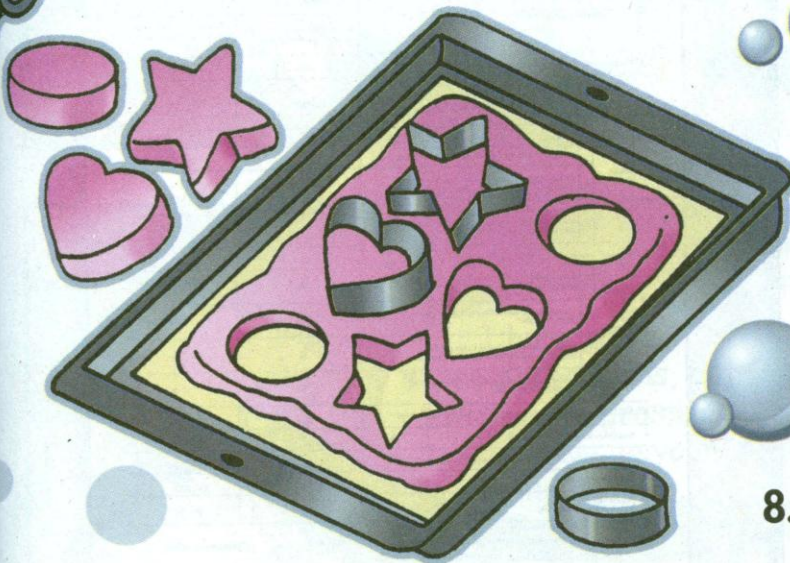
4. Have an adult microwave for 25-second intervals, stirring until melted. (Do not overheat.)



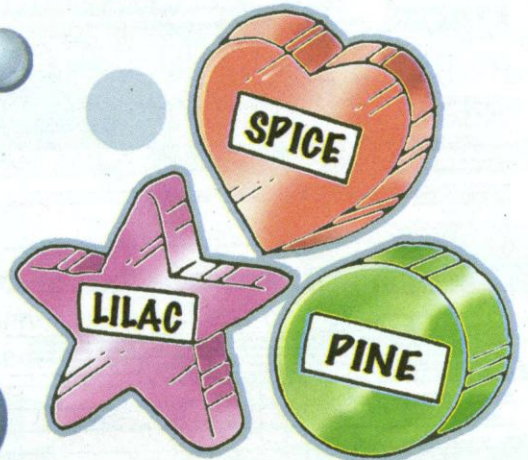
5. Add the scent you like and stir slowly to avoid bubbles. Pop any bubbles that form.



6. Have your helper pour the soap onto the baking sheet. Cool for 30 minutes or until softly set.



7. Cut out cookie cutter shapes. Place soaps on a flat surface.



8. When soaps are completely cool, wrap in plastic wrap and secure with a sticky label. Then write the scent on the label.